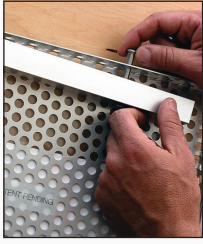
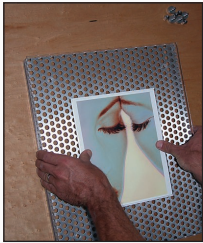


## FRAMING DIRECTIONS

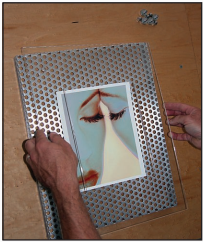


After removing protective paper from acrylic pieces, remove the C-rail from the metal frame blank and set aside for hanging later on.



Align printed media to be framed using holes as a guide.

(For Fine Art model use the clear mat as the guide to determine media placement).



Being careful not to move media from desired position secure media to the frame blank with a piece of photo safe double-sided tape. Use computer cloth to wipe away any dust on acrylic.

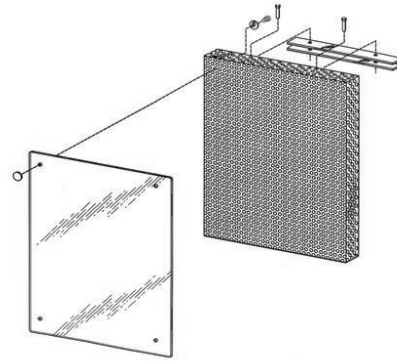


Now place the acrylic piece or pieces (Fine Art) onto the frame blank and secure with the included caps, bolts and washers. (Do Not Overtighten).

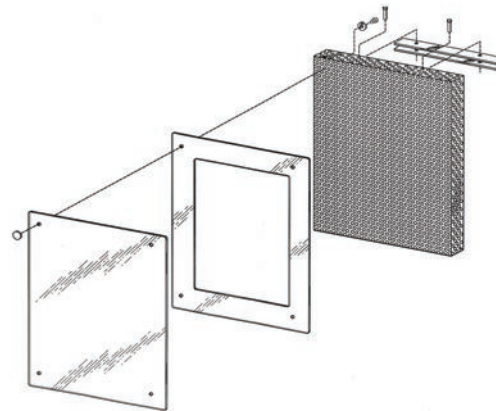


Congratulations, your art is framed and ready to be hung with the C-rail system. You may change your art as often as you like.

The patented **ALUMA architek** frame is a quality handcrafted product that takes art, picture and document displaying to a new level of creativity.



The **Agency Version** has a single layer of acrylic that presses the media being framed directly against the metal frame. All **architek** frames come with a unique architectural hanging system.

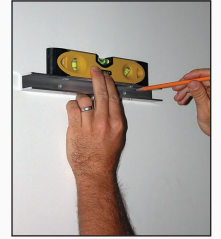


The **Fine Art Version** also includes a clear acrylic mat which keeps the top layer of acrylic from directly touching the media being framed for an archival application. Custom Fine Art frames and mats available.

CHOKING HAZARD / KEEP SMALL PARTS AWAY FROM CHILDREN

## HANGING DIRECTIONS

Place C-rail in desired position with the set of small holes facing wall. Level C-rail and mark the locations of the small holes with a pencil.



Using a 5/32nd drill bit, drill holes at the marked locations or just screw self tapping drywall anchors into the wall where the pencil marks are.



Place C-rail over anchors and fasten using provided screws. (Use the level again before you do the final tightening to be sure that the c-rail is level then fully tighten).



Place the frame on the C-rail and line up the proper holes in the frame with the holes in the C-rail and slide the clevis pins in place.



You may use the cotter pins as a security device to secure the frame to the wall by passing them through the holes in the clevis pins and slightly bending them.

